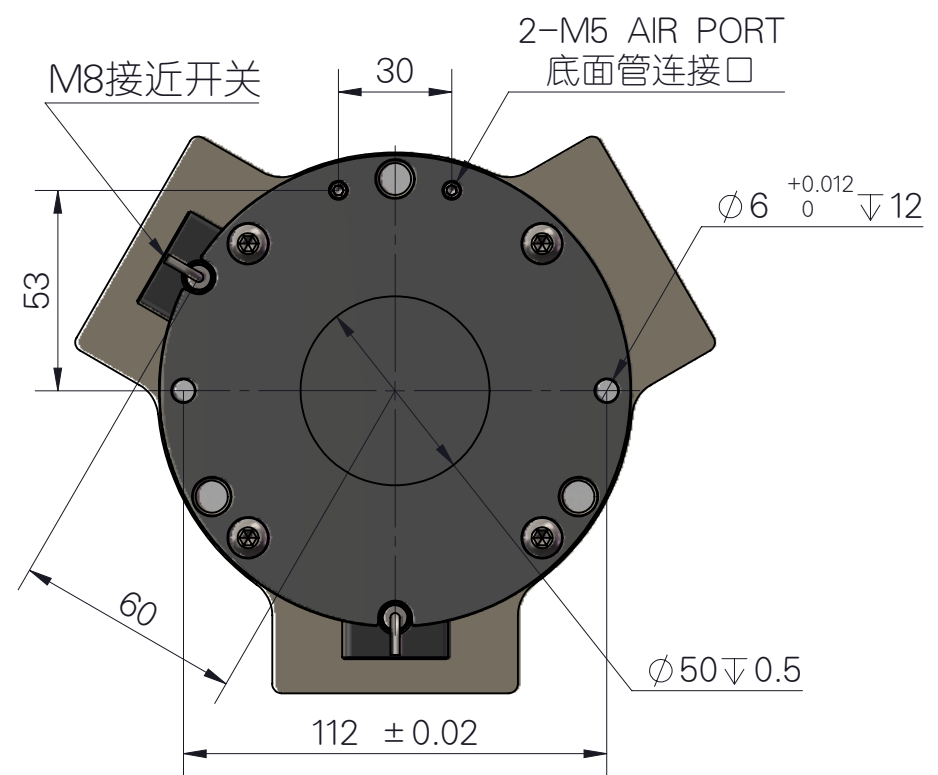
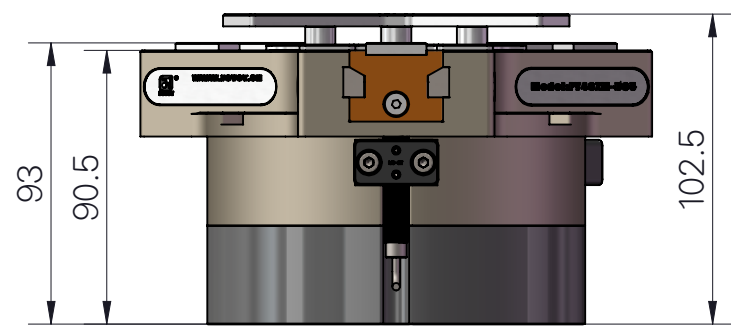


常开 (NO) 或常闭 (NC) 款



警告:

- 1.当操作夹爪工作时,请人员务必远离夹爪和机器人的活动部位,否则将会造成人身伤害的险;
- 2.由于不同物件有其不同的摩擦系数,当初次夹持工件时,请在空旷场地进行试夹,确保夹稳固后方可装机工作,否则将会有跌落工件砸伤机器或人员的风险

Warning:

- 1.When operating the gripper, please keep away from it Gripper and robot's moving parts, otherwise it will Risk of personal injury;
2. Because different objects have different friction coefficients, When clamping the workpiece for the first time, please try clamping in an open field. Ensure that the clamping is firm before the machine can work, otherwise it will There is a risk that falling workpieces may damage machines or personnel.

名称: 气动平行三爪

Name: Pneumatic parallel three claws

型号 (Model) : FY462M-D95

P:空气压力 (bar) P:Air Pressure(bar)

L:到作用点距离 (mm) L:Exertion Length(mm)

开闭范围 (Stoke) :26mm

产品重量 (Weight):2.9kg

最大附件长度(Max. length attach):120mm

配管接口(Fitting size):PF (G)1/8

理论夹持力-开(Gripping force :Open):3502N

理论夹持力-闭(Gripping force : Close):3364.8N

单循环空气消耗量(Air consumption per cycle):213.8cm³

开闭时间(Closing/Opening time):0.22/0.22ec

重复精度Repeat accuracy):0.02mm

连续使用次数(Continuation usage amount):40

使用气压(Operating pressure):3-8bar

周围温度(Ambient temperature):-5 to 60°C(-10 to 130°C)

润滑(Lubrication):不需要 (Needless)

根据IEC60529标准安全防护:IP64

Safety protection according to IEC60529 standard:IP64

所有数据在 7 Bar时测量(All data were measured at 7 Bar)

重复精度:连续动作100次以后的检测值

After 100 consecutive strokes to end positions